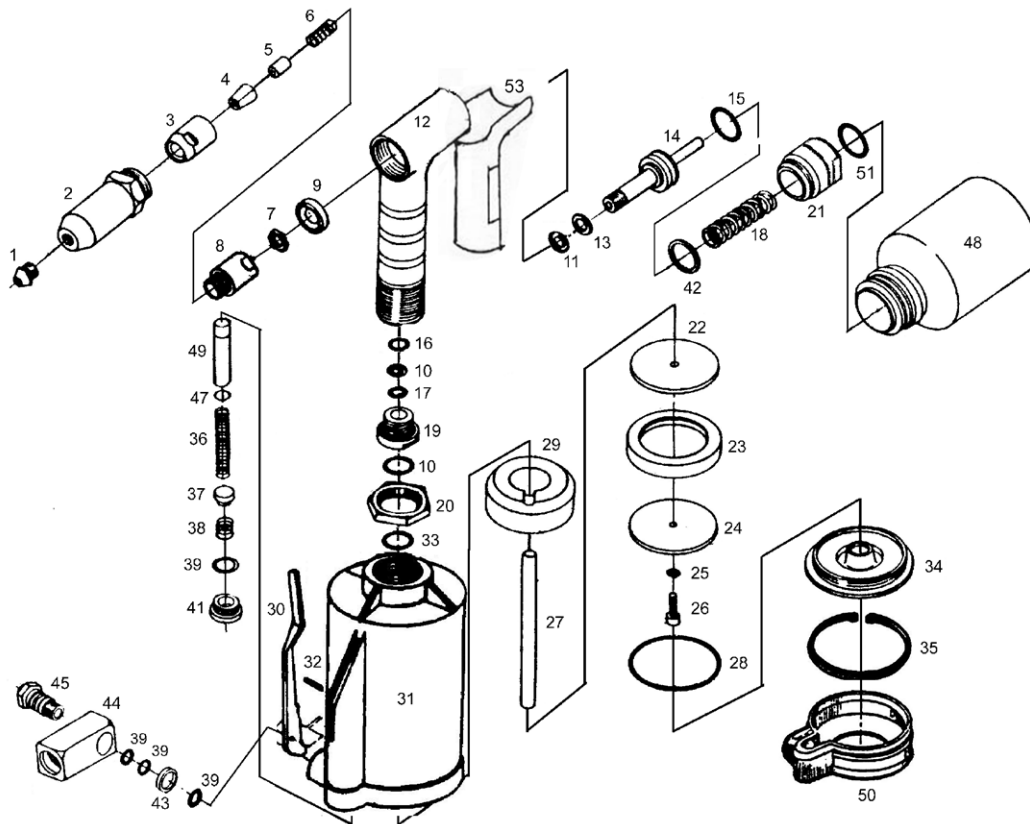


GP-0815 AIR HYDRAULIC RIVETER

www.air-allied.com.au



PARTS **DESCRIPTION**
NO.

1A.	5/32" NOSEPIECE
1B.	3/16" NOSEPIECE
1C.	1/4" NOSEPIECE
1D.	9/32" NOSEPIECE
1E.	3/16" MONOBOLT NOSEPIECE
1F.	1/4" MONOBOLT NOSEPIECE
1G.	3/16" MAGNA-LOK NOSEPIECE
1H.	1/4" MAGNA-LOK NOSEPIECE
02.	HEAD
03.	JAW HOUSING
04.	JAWS (3)
05.	JAW PUSHER
06.	SPRING
07.	NUT
08.	JAW HOUSING COUPLER
09.	WIPER RING
10.	X-RING SEAL (2)
11.	X-RING WASHER
12.	HYDRAULIC SECTION
13.	X-RING SEAL
14.	HYDRAULIC PLUNGER
15.	O-RING SEAL
16.	GUIDE WASHER
17.	RING WASHER
18.	RETURN SPRING
19.	ROD GUIDE
20.	LOCK NUT
21.	SCREW PLUG
22.	FRONT HEAD DISC
23.	PACKING RING

PARTS **DESCRIPTION**
NO.

24.	REAR HEAD DISC
25.	SPRING WASHER
26.	LOCK SCREW
27.	PLUNGER ROD
28.	O-RING SEAL
29.	DAMPING RING
30.	TRIGGER ARM
31.	AIR CYLINDER BODY
32.	ROLL PIN
33.	O-RING WASHER
34.	CYLINDER CAP
35.	CLIP
36.	VALVE SPRING
37.	VALVE PLATE
38.	VALVE PRESSURE SPRING
39.	O-RING SEAL (4)
40.	WRENCH
41.	SCREW PLUG
42.	WASHER
43.	SEALING WASHER
44.	1/4" AIR INLET -F.
45.	AIR INLET PLUG
47.	O-RING SEAL
48.	PLASTIC BOTTLE
48A.	SPANNER 19 /21MM (2)
49.	VALVE TUBE
50.	RUBBER CUSHION
51.	O-RING SEAL
52.	O-RING
53.	RUBBER HAND GRIP